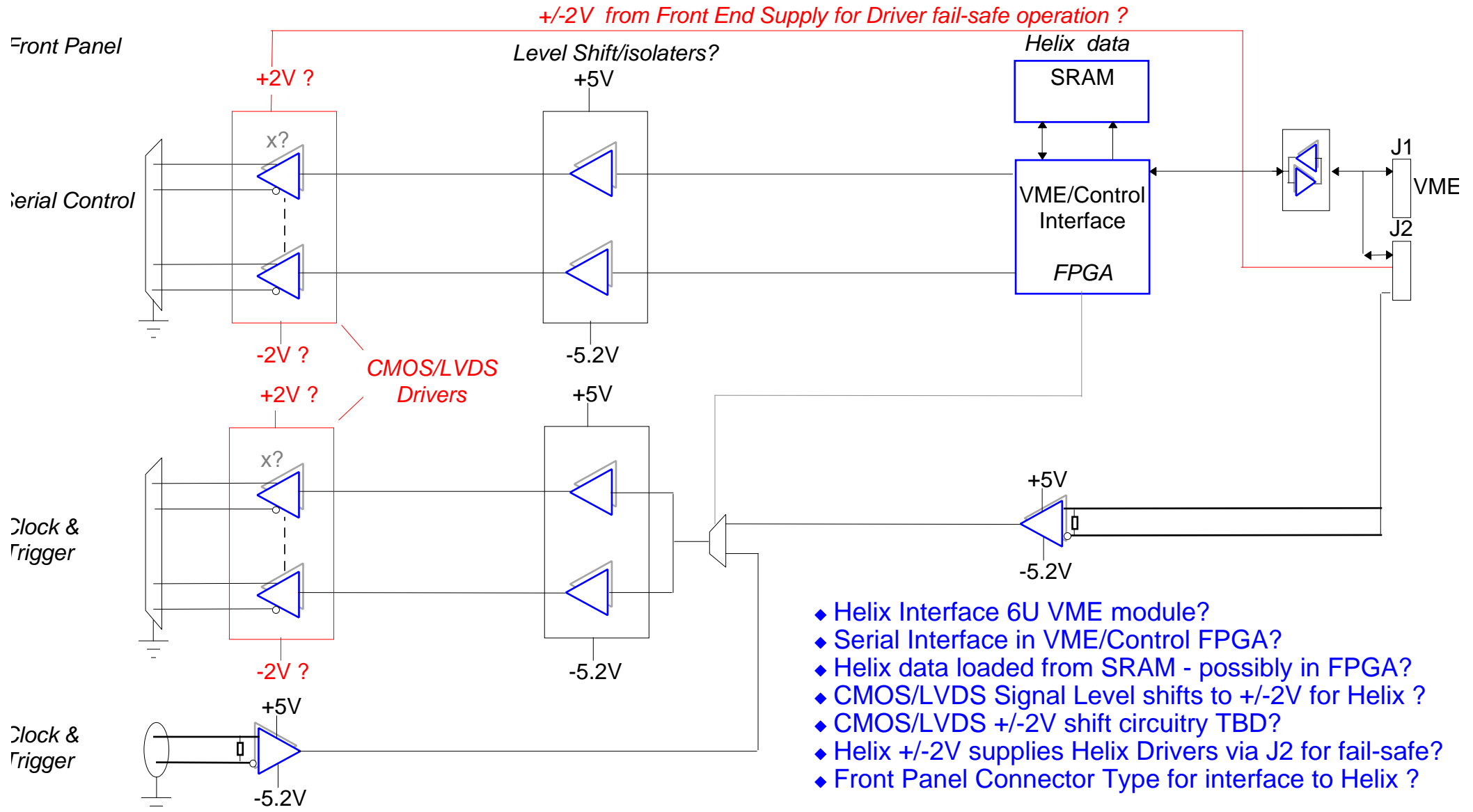




ZEUS Micro Vertex Detector

Helix Interface - Outline Proposal

6Ux160mm - VME Module



- ◆ Helix Interface 6U VME module?
- ◆ Serial Interface in VME/Control FPGA?
- ◆ Helix data loaded from SRAM - possibly in FPGA?
- ◆ CMOS/LVDS Signal Level shifts to +/-2V for Helix ?
- ◆ CMOS/LVDS +/-2V shift circuitry TBD?
- ◆ Helix +/-2V supplies Helix Drivers via J2 for fail-safe?
- ◆ Front Panel Connector Type for interface to Helix ?

